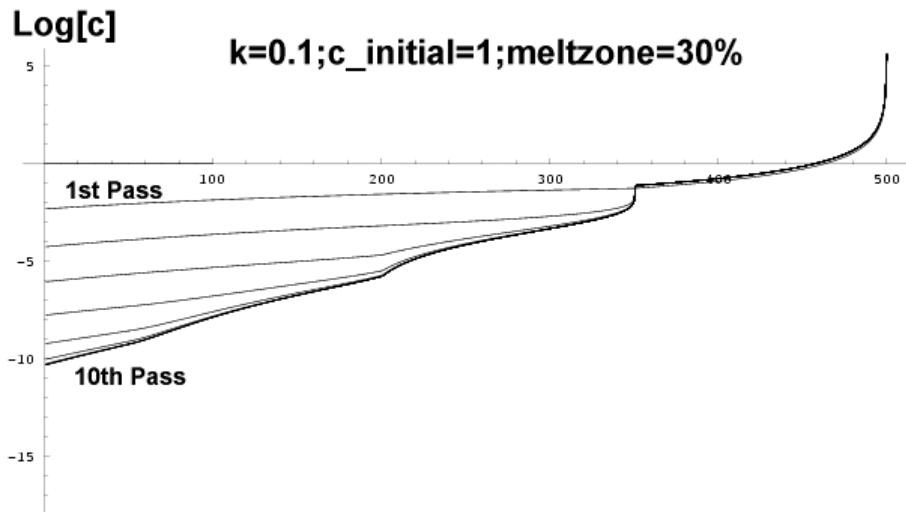
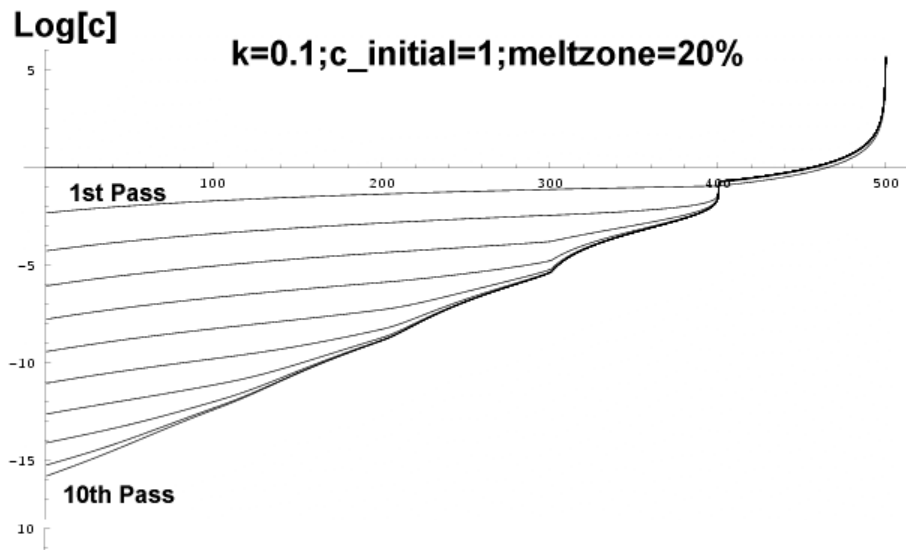
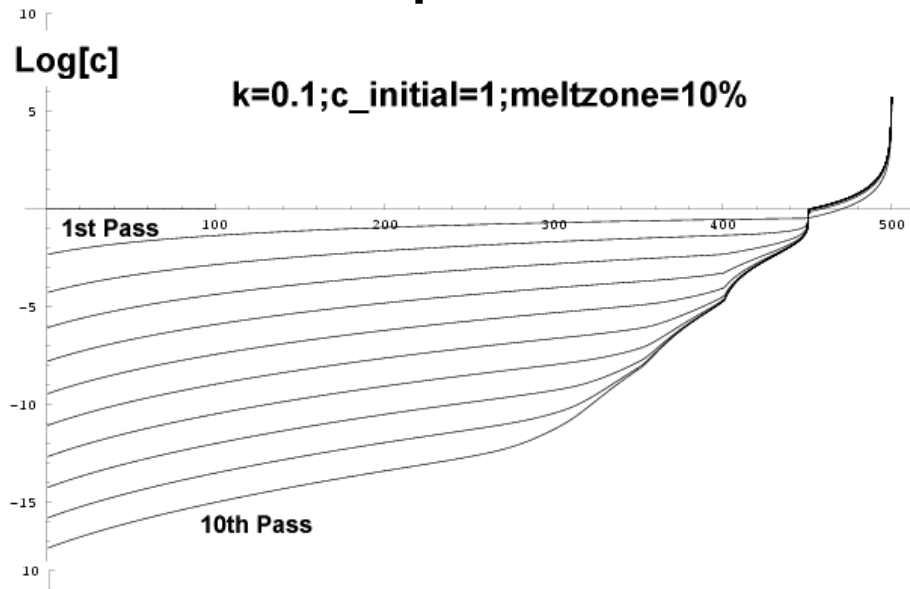
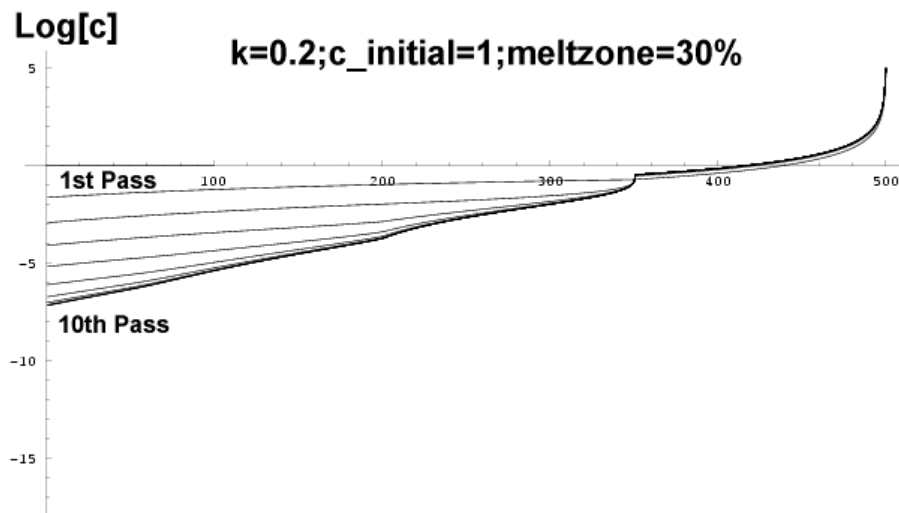
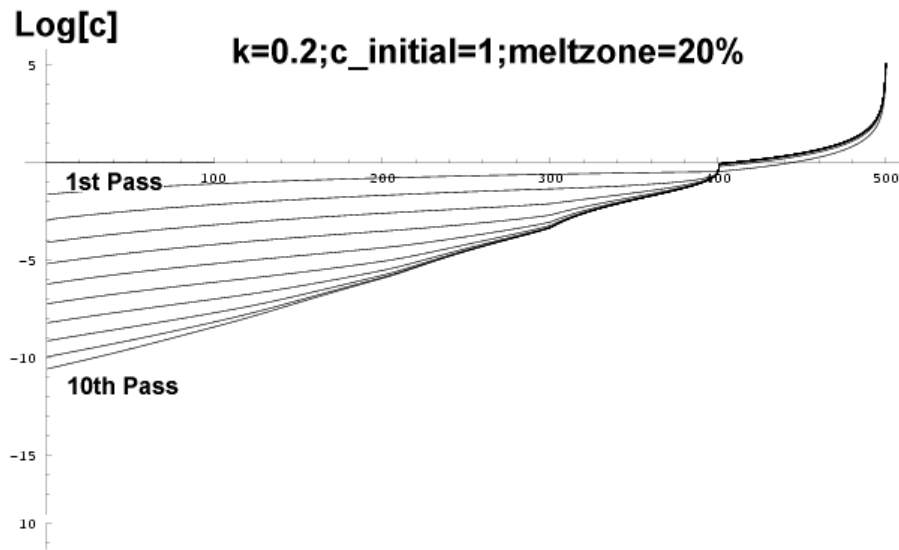
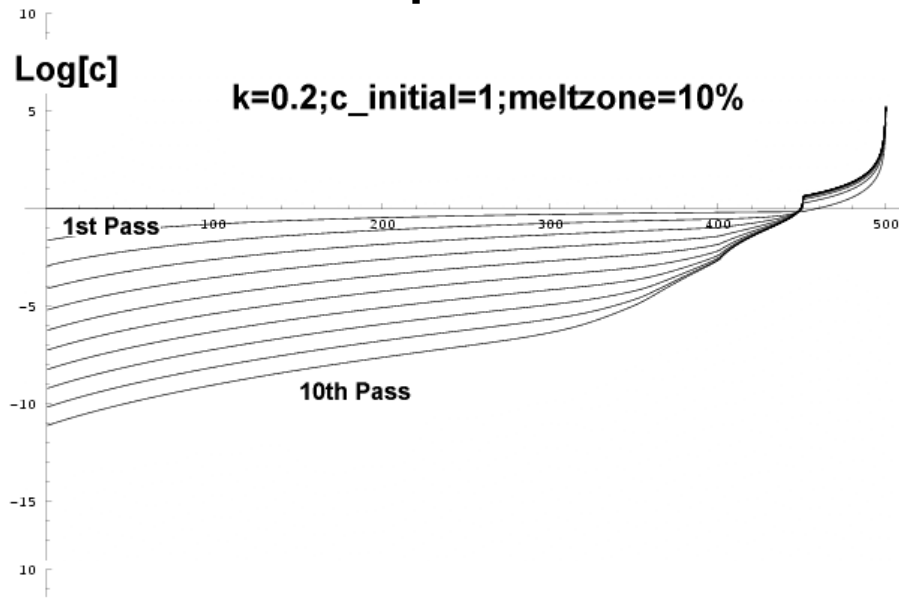


Zone Melt Refinement Concentration as a Function of Position in 1D Specimen



Zone Melt Refinement Concentration as a Function of Position in 1D Specimen



Zone Melt Refinement Concentration as a Function of Position in 1D Specimen

